

# EVOIVE

ceiling fans

## PRODUCT SPECIFICATION SHEET



|                      |                                                |
|----------------------|------------------------------------------------|
| <b>Model</b>         | 2404                                           |
| <b>Color</b>         | Light Wood - Bamboo                            |
| <b>Location</b>      | Rated for Indoor & Outdoor Damp <sup>1</sup>   |
| <b>Fan diameter</b>  | 132 cm / 52 inches                             |
| <b>Blades</b>        | (3) ABS plastic                                |
| <b>Coverage area</b> | Space +37m <sup>2</sup>                        |
| <b>Input Voltage</b> | 100-120v and 220v-240 VAC,<br>1 phase, 50-60Hz |
| <b>Motor</b>         | DC. Reversible. 6 speeds                       |
| <b>Control</b>       | Handheld Remote control                        |
| <b>Reverse flow</b>  | Winter & Summer mode                           |

**Light kit** Integrated (24W) 2100 lumen.  
3 colors temperatures: 3000K, 4000K, 6500K

**Hanging system** Universal 12.5cm (5") and 25cm (10")

**Airflow (Max)** 6,800 CFM. 192.55 m<sup>3</sup>/min

**Speed (Max)** 207 RPM

**Sound Level<sup>2</sup>** <40 dba at max speed

**Power (W)** 35W

**Warranty:** 10-Years motor. 2-Years LED light

<sup>1</sup>Outdoor Damp: Areas that are not directly exposed to sun, rain, snow, water, or moisture

<sup>2</sup>Sound level: Actual results of sound measurements in the field may vary due to sound reflective surfaces and environmental conditions



# EVOIVE

ceiling fans

## ESPECIFICACIONES DEL PRODUCTO



**Modelo** 2404

**Color** Madera Clara - Bambú

**Ubicación** Interior & exterior<sup>1</sup>. Patio cubierto

**Díámetro** 132 cm / 52 pulgadas

**Aspas** (3) ABS plástico

**Área impacto** Área / espacio +37m<sup>2</sup>

**Voltaje** 100-120v y 220v-240 VAC,  
1 phase, 50-60Hz

**Motor** DC. Reversible. 6 velocidades

**Control** Mando a distancia

**Dirección** Modo verano e invierno

**Luz** Integrada. (24W) 2100 lumen.  
3 colores de temperatura: 3000K, 4000K, 6500K

**Sistema para colgar** Universal 12.5cm (5") and 25cm (10")

**Flujo Aire (Max)** 6,800 CFM. 192.55 m<sup>3</sup>/min

**Velocidad (Max)** 207 RPM

**Nivel sonoro<sup>2</sup>:** <40 dba max velocidad

**Potencia (W)** 35W

**Garantía:** 10 años motor. 2 años luz

<sup>1</sup> Exterior: Zonas que no están expuestas directamente al sol, la lluvia, la nieve, el agua o la humedad.

<sup>2</sup> Nivel sonoro: Los resultados reales de las mediciones de sonido sobre el terreno pueden variar debido a las superficies reflectantes del sonido y a las condiciones ambientales.

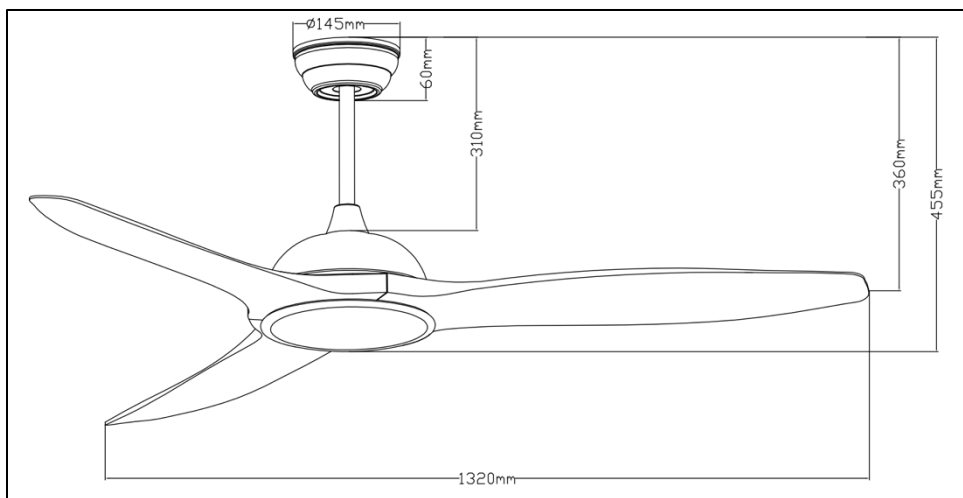


# EVOIVE

ceiling fans

---

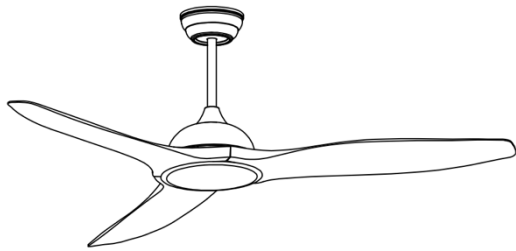
## Dimensions / Dimensiones



# EVOLVE

## ceiling fans

### TECHNICAL DATA



|                                           |                                                                         |
|-------------------------------------------|-------------------------------------------------------------------------|
| <b>Diameter / Diametro</b>                | 132cm / 52 inches                                                       |
| <b>Motor</b>                              | Reversible. DC motor.<br>6-speed / velocidades.                         |
| <b>Location / ubicación</b>               | Indoor-Outdoor covered patio.<br>Interior-Exterior patio cubierto. IPX2 |
| <b>Material Blades / Aspas</b>            | ABS. Plastic / Plástico                                                 |
| <b>Control</b>                            | Remote control / Mando a distancia<br>Wall control / control de pared   |
| <b>Universal downrod Barra extensible</b> | 40   60   90   120 cm<br>15   23   35   47 inches                       |
| <b>Warranty / Garantía (years/años)</b>   | 10-Motor. 2-LED Light/Luz.                                              |
| <b>Input Voltage /</b>                    | 100-240 VAC, 50-60Hz                                                    |

| Speed | Power (W) | Amps  | RPM | Airflow (CFM) | Airflow (m <sup>3</sup> /min) | Operating Voltage                 | Sound Level*            |
|-------|-----------|-------|-----|---------------|-------------------------------|-----------------------------------|-------------------------|
| #1    | 3.3       | 0.062 | 126 | 1,360         | 38.08                         | 100-240 VAC<br>1 phase<br>50-60Hz | <40 dba at<br>max speed |
| #2    | 6.7       | 0.113 | 144 | 2,040         | 57.12                         |                                   |                         |
| #3    | 11.1      | 0.174 | 169 | 3,400         | 95.20                         |                                   |                         |
| #4    | 16.2      | 0.245 | 187 | 5,100         | 142.80                        |                                   |                         |
| #5    | 23.3      | 0.338 | 210 | 5,780         | 161.84                        |                                   |                         |
| #6    | 33.7      | 0.477 | 226 | 6,800         | 190.40                        |                                   |                         |

\*Actual results of sound measurements in the field may vary due to sound reflective surfaces and environmental conditions

Evolve ceiling fan tested 132cm / 52". Fan tested input voltage at 100 – 240v ~ 50/60Hz. Average results provided.

Tested with: Universal 25cm downrod mount. DC Motor size 153\*12. Receiver / remote control.

Product Gross Weight: 7.4 kgs (16.3lbs). Product Net Weight: 6.4 kgs (14.1lbs).

LED Light Source: Max 20W – CTT: 3000K / 4000K / 6500K

