

EVOIVE

ceiling fans

PRODUCT SPECIFICATION SHEET



| | |
|----------------------|--|
| Model | 2411 |
| Color | Dark Wood - Cocoa |
| Location | Rated for Indoor & Outdoor Damp ¹ |
| Fan diameter | 132 cm / 52 inches |
| Blades | (3) ABS plastic |
| Coverage area | Space +37m ² |
| Input Voltage | 100-120v and 220v-240 VAC, 1 phase, 50-60Hz |
| Motor | DC. Reversible. 6 speeds |
| Control | Handheld Remote control |
| Reverse flow | Winter & Summer mode |

| | |
|--------------------------------|--|
| Light kit | Integrated (24W) 2100 lumen. 3 colors temperatures: 3000K, 4000K, 6500K |
| Hanging system | Universal 12.5cm (5") and 25cm (10') |
| Airflow (Max) | 6,800 CFM. 192.55 m ³ /min |
| Speed (Max) | 207 RPM |
| Sound Level² | <40 dba at max speed |
| Power (W) | 35W |
| Warranty: | 10-Years motor. 2-Years LED light |

¹Outdoor Damp: Areas that are not directly exposed to sun, rain, snow, water, or moisture

²Sound level: Actual results of sound measurements in the field may vary due to sound reflective surfaces and environmental conditions



EVOIVE

ceiling fans

ESPECIFICACIONES DEL PRODUCTO



Modelo 2411

Color Madera oscura - Cacao

Ubicación Interior & exterior¹. Patio cubierto

Díámetro 132 cm / 52 pulgadas

Aspas (3) ABS plástico

Área impacto Área / espacio +37m²

Voltaje 100-120v y 220v-240 VAC,
1 phase, 50-60Hz

Motor DC. Reversible. 6 velocidades

Control Mando a distancia

Dirección Modo verano e invierno

Luz Integrada. (24W) 2100 lumen.
3 colores de temperatura: 3000K, 4000K, 6500K

Sistema para colgar Universal 12.5cm (5") and 25cm (10")

Flujo Aire (Max) 6,800 CFM. 192.55 m³/min

Velocidad (Max) 207 RPM

Nivel sonoro²: <40 dba max velocidad

Potencia (W) 35W

Garantía: 10 años motor. 2 años luz

¹ Exterior: Zonas que no están expuestas directamente al sol, la lluvia, la nieve, el agua o la humedad.

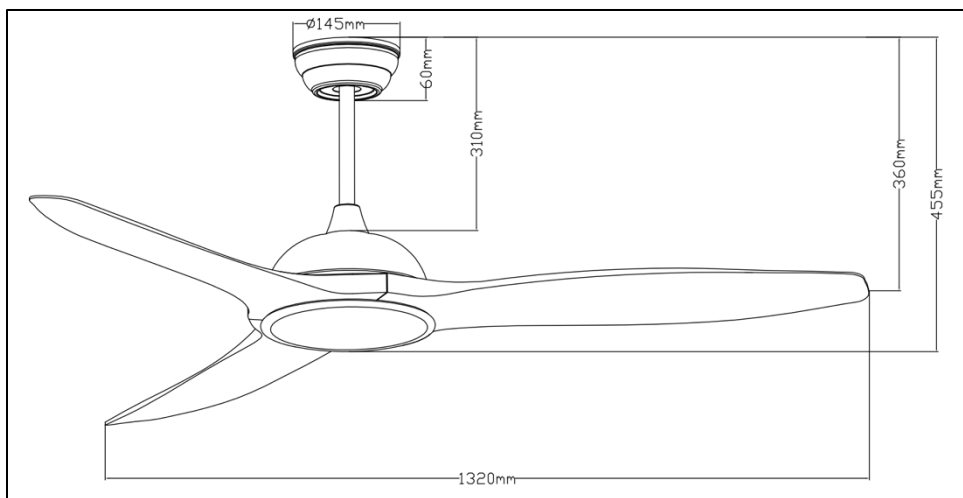
² Nivel sonoro: Los resultados reales de las mediciones de sonido sobre el terreno pueden variar debido a las superficies reflectantes del sonido y a las condiciones ambientales.



EVOIVE

ceiling fans

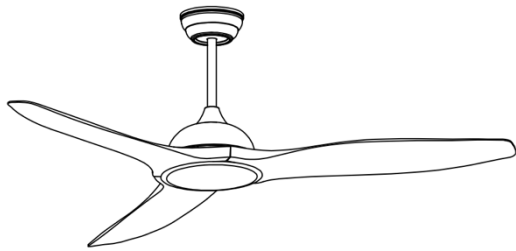
Dimensions / Dimensiones



EVOLVE

ceiling fans

TECHNICAL DATA



| | |
|---|---|
| Diameter / Diametro | 132cm / 52 inches |
| Motor | Reversible. DC motor. 6-speed / velocidades. |
| Location / ubicación | Indoor-Outdoor covered patio. Interior-Exterior patio cubierto. IPX2 |
| Material Blades / Aspas | ABS. Plastic / Plástico |
| Control | Remote control / Mando a distancia Wall control / control de pared |
| Universal downrod Barra extensible | 40 60 90 120 cm 15 23 35 47 inches |
| Warranty / Garantía (years/años) | 10-Motor. 2-LED Light/Luz. |
| Input Voltage / | 100-240 VAC, 50-60Hz |

| Speed | Power (W) | Amps | RPM | Airflow (CFM) | Airflow (m ³ /min) | Operating Voltage | Sound Level* |
|-------|-----------|-------|-----|---------------|-------------------------------|-----------------------------------|-------------------------|
| #1 | 3.3 | 0.062 | 126 | 1,360 | 38.08 | 100-240 VAC 1 phase 50-60Hz | <40 dba at max speed |
| #2 | 6.7 | 0.113 | 144 | 2,040 | 57.12 | | |
| #3 | 11.1 | 0.174 | 169 | 3,400 | 95.20 | | |
| #4 | 16.2 | 0.245 | 187 | 5,100 | 142.80 | | |
| #5 | 23.3 | 0.338 | 210 | 5,780 | 161.84 | | |
| #6 | 33.7 | 0.477 | 226 | 6,800 | 190.40 | | |

*Actual results of sound measurements in the field may vary due to sound reflective surfaces and environmental conditions

Evolve ceiling fan tested 132cm / 52". Fan tested input voltage at 100 – 240v ~ 50/60Hz. Average results provided.

Tested with: Universal 25cm downrod mount. DC Motor size 153*12. Receiver / remote control.

Product Gross Weight: 7.4 kgs (16.3lbs). Product Net Weight: 6.4 kgs (14.1lbs).

LED Light Source: Max 20W – CTT: 3000K / 4000K / 6500K

